

BELKIN®

www.belkin.com

Belkin Ltd.

+44 (0) 1933 35 2000
Rushden,
United Kingdom

Belkin B.V.

+31 (0) 20 654 7300
Schiphol-Rijk,
The Netherlands

Belkin GmbH

+49 (0) 89 143405 0
Munich,
Germany

Belkin SAS

+33 (0) 1 41 03 14 40
Boulogne-Billancourt,
France

Belkin Nordic

+46 (0) 8 5229 1870
Kista,
Sweden

2005 Belkin Corporation. All rights reserved.
All trade names are registered trademarks of
respective manufacturers listed.

P74077uk-A

BELKIN®

4x4 USB Peripheral Switch

*Share four USB devices with up to
four computers*



User Manual

F1U400uk

TABLE OF CONTENTS

Overview

Introduction	1
Package Contents	2
Feature Overview	2
Equipment.	3
Operating Systems	3
Unit Display Diagrams.	4
Specifications	5

Installation

Software Installation	6
Hardware Installation	8

Switching Through Software

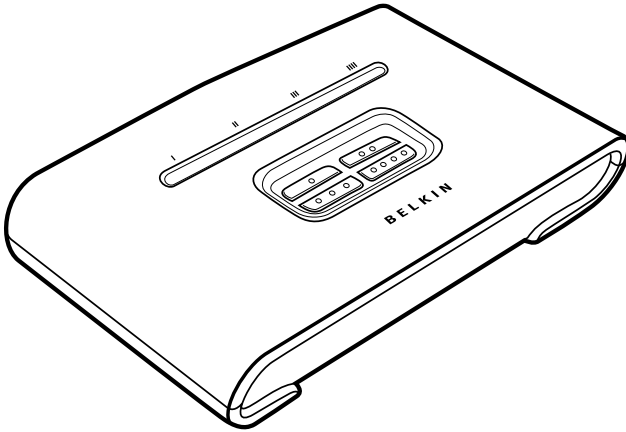
Legend	10
Switching USB Devices	11
Automatic Printing.	12
Courtesy Alert	12
Naming Your Computers	13
Manual Push-Button Selectors	13

FAQs	14
-----------------------	----

Troubleshooting	15
----------------------------------	----

Information	16
------------------------------	----

OVERVIEW



Introduction

Congratulations on your purchase of the Belkin 4x4 USB Peripheral Switch (the Switch). This innovative product lets you access four USB devices, such as printers, cameras, scanners, and external hard drives, from up to four computers simultaneously. It is designed to give you immediate, convenient push-button or software switching access to your USB devices.

This manual will provide details about your new Switch, from installation and operation to troubleshooting, in the unlikely event of a problem.

For quick and easy installation, please refer to the Quick Installation Guide included with your Switch.

OVERVIEW

Package Contents

- Belkin 4x4 USB Peripheral Switch
- Software Installation CD
- USB Cable
- User Manual
- Quick Installation Guide
- Registration Card
- 5V DC, 2.5A AC Power Supply

Feature Overview

4x4 USB Peripheral Switch Software

The Switch features a user-friendly software interface that allows you to share up to four USB peripherals among up to four connected computers.

Light-Emitting Diode (LED) Display

The LED displays on the top panel of the Switch function as status monitors. They indicate which device is being accessed by a computer.

Manual Push-Button Selectors

Located conveniently on top of the Switch, manual push-button selectors make for easy switching and port selection. Each button controls a USB device that can be switched to whichever computer port you desire.

OVERVIEW

Courtesy Alert

The courtesy alert notifies other users that a device is in use. However, it does not restrict other users from taking control of the device.

Equipment

Cables

To connect to the Switch, each computer requires a USB device cable (A to B).

Recommended Belkin device Cables

- F3U133-XX-GLD
- F3U133-XX

Operating Systems

The Belkin 4x4 USB Peripheral Switch is for use with computers running:

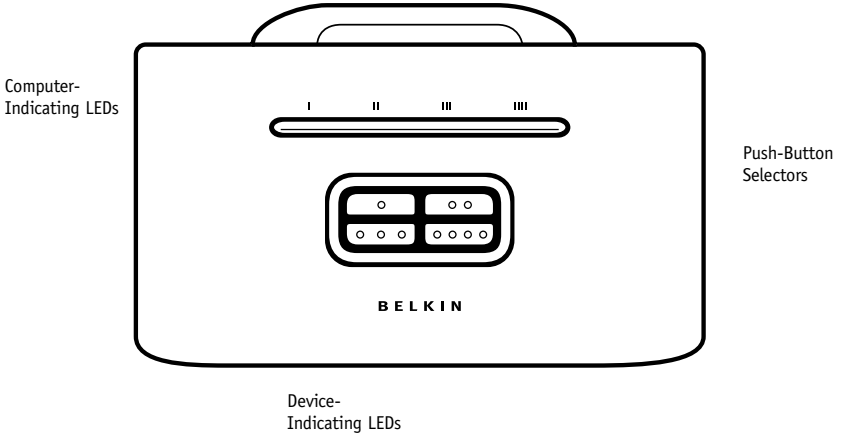
Platforms

- Windows® 98 SE, Me, 2000, XP

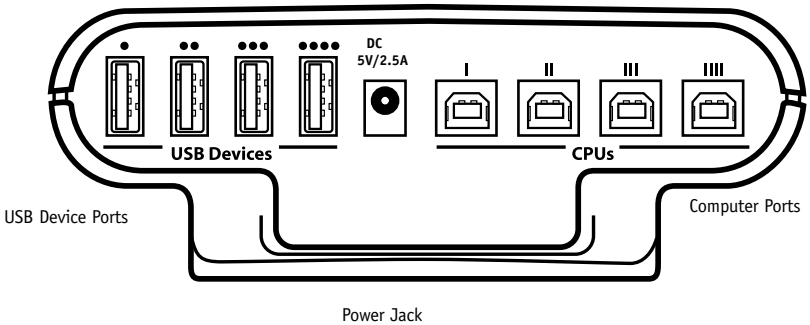
OVERVIEW

Unit Display Diagrams

Top View of the 4x4 USB Peripheral Switch



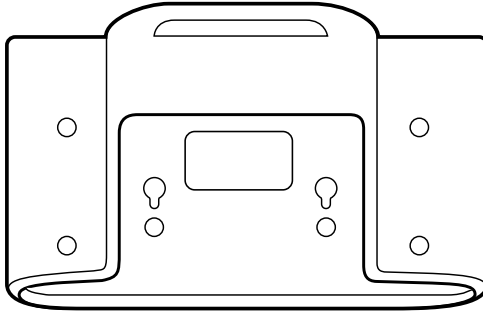
Back View of the 4x4 USB Peripheral Switch



OVERVIEW

Bottom View of the 4x4 USB Peripheral Switch

Wall
Mount Slots



Specifications

Part No.:	F1U400
Power:	5V DC, 2.5A AC Adapter (required)
USB Device Port Connector:	USB Type A Receptacle
USB Computer Port Connector:	USB Type B Receptacle
Manual Push Buttons:	4
LED Indicators:	8
USB Device Ports:	4
USB Computer Ports:	4
Enclosure:	High-Impact Plastic
Dimensions:	1.9 (H) x 6.0 (W) x 4.3 (D) in.
Weight:	0.3 lbs. (136g)
Operating Temp:	41° to 104° F (5~40° C)
Storage Temp:	-4° to 140° F (-20~60° C)
Warranty:	2 Year

Note: Specifications are subject to change without notice.

INSTALLATION

Software Installation

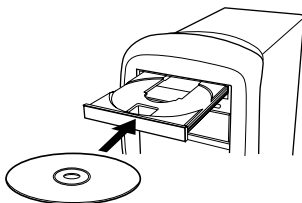
Windows

Before you begin, be sure that:

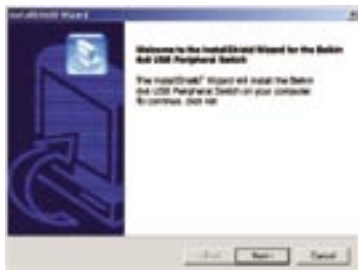
1. the Switch is not connected to your computer;
2. the Switch supports your operating system (see page 3); and
3. your USB devices are compatible with your connected computers.

To install the software:

1. Place the CD in the CD tray in your PC.

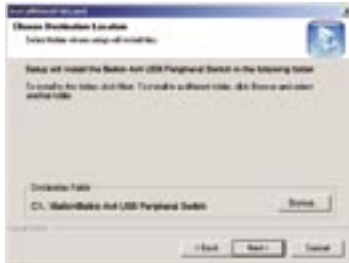


2. Double-click on “My Computer”.
3. Double-click on the CD-ROM drive.
4. Double-click on the folder named “F1U400”.
5. Double-click on the file named “Setup.exe”.
6. Click “Next” on the InstallShield Wizard.



INSTALLATION

- Setup will install the files in the folder listed under “Destination Folder”. To install to this folder, click “Next”. To install to a different folder, click “Browse” and select another folder.



- When the InstallShield Wizard is complete, click “Finish”.



- A shortcut icon to the 4x4 USB Peripheral Switch software will appear on your desktop.

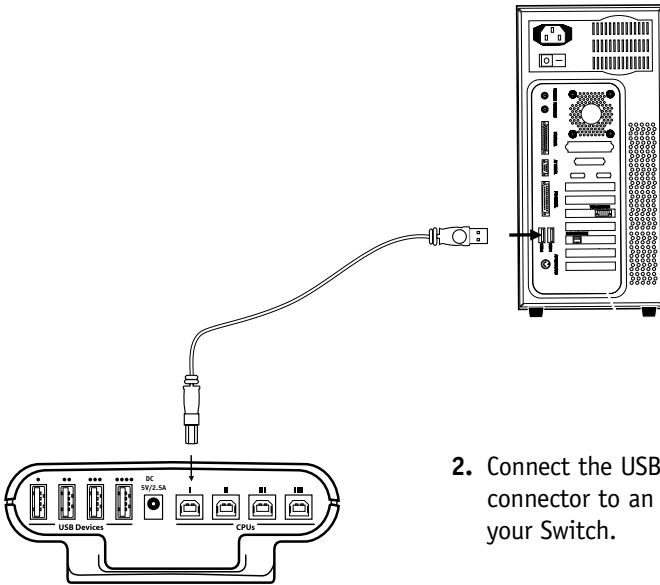
Note: If the software fails to install successfully, please run “uninstall” for the Switch and then reinstall, repeating steps 2-7.

INSTALLATION

Hardware Installation

Step 1: Connecting Computers to the Switch

1. Connect the USB cable's A-type connector to an available USB port on your USB computer.



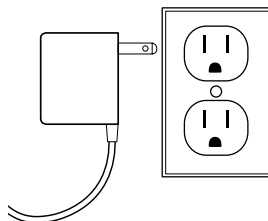
2. Connect the USB cable's B-type connector to an available port on your Switch.

Repeat steps 1 and 2 for each additional USB computer you wish to connect.

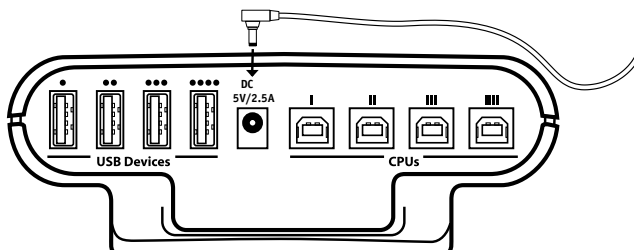
INSTALLATION

Step 2: Powering On the Switch

1. Connect the included 5V DC, 2.5A AC power supply adapter into an available power outlet.



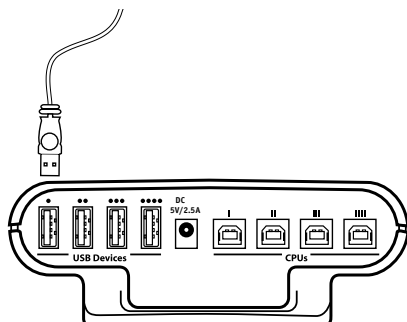
2. Attach the barrel plug into the power jack of the Switch.



Step 3: Connecting USB Devices to the Switch

Connect the A-type connector of your USB device to an available USB A-type port on your Switch.

Repeat for each additional USB device you wish to connect.



SWITCHING THROUGH SOFTWARE

Legend

Icons for USB Devices



Camera Device



Hub



Ethernet Device



Generic Device



Gaming Device



Speakers



Mass Storage Device



Scanner



Keyboard



Printer



Mouse



General Basket



Active Computer Port



Inactive Computer Port

SWITCHING THROUGH SOFTWARE

Switching USB Devices

Select the 4x4 USB Peripheral Switch icon located on your desktop. To switch USB devices, drag the USB device icon from the “General Basket” to the “Active Computer Port”. (“Active” refers to a computer connected to the Switch and powered on).



To switch USB devices from computers, drag the USB icon of the desired device to the Active Computer Port you wish to switch it to. When dragged, the software will indicate the name of the device.



SWITCHING THROUGH SOFTWARE

Automatic Printing

In order to enable automatic printing, double-click on the printer icon located in the General Basket. Once enabled, the printer becomes the default printer.



Courtesy Alert

In order to enable the courtesy alert, right-click on the USB device icon. This feature is only available if the USB device icon is in an active computer port. The courtesy alert will only notify other end users that the device is currently being used, but will not restrict them from taking control of the device.



SWITCHING THROUGH SOFTWARE

Naming Your Computers

The Switch software will allow you use up to eight characters when naming your computers. In order to rename your computers, click “Edit” located on the top left corner of the software window.

Manual Push-Button Selectors

Manual push-button selectors will allow you to switch your USB devices to the desired computer port at the push of a button. Each device is assigned its own push-button selector; in order to switch the device, simply press the designated push-button selector of the USB device you wish to switch until the device is moved to the desired computer port. The computer-indicating LEDs will identify which computer has control of the device.

Note: The LEDs remain lit for five seconds.

FAQs

Q: Does the Switch support USB 2.0 devices?

A: Yes, your USB 2.0 device will work with the Switch but will only transfer data up to 12Mbps.

Q: Does the Switch support automatic printer sharing?

A: Yes, all computers connected to the Switch will have the ability to print automatically, if the connected printer is set as the default. (Printer driver must support your operating system and that printer's software must be installed on each computer you will be using it from.)

Q: What operating systems will the Switch work with?

A: The Switch will support Windows 98 SE, Me, 2000 and XP.

Q: What is the maximum distance from the Switch that a computer can be connected?

A: Your computer can be connected as far as 15 feet away from the Switch.

Q: What is the maximum distance from the Switch that a USB device can be connected?

A: The Switch can support USB devices from distances of up to 15 feet. (See your USB device manual for more information.)

Q: What are the specifications for the power supply? Does it come with one?

A: Yes, the Switch comes with the required 5V DC, 2.5A AC power supply.

TROUBLESHOOTING

The Switch software does not detect my computer.

- Check that the cable between the Switch and the computer is completely connected. Tighten any loose connections.
- Make sure the connected computer is not further than 15 feet away.
- Check that the cable between the Switch and the computer is not longer than 15 feet.
- Close the software and reopen the application.
- Try connecting the computer to a different port.
- Make sure the power supply is connected to the Switch.

My USB device is not detected by the Switch software.

- Make sure the drivers are installed and that the USB device supports the operating system.
- Make sure the connected computer is not further than 15 feet away.
- Make sure the connected USB device is not further than 15 feet away.
- Check that the cable between the Switch and the device is not longer than 15 feet.
- Close the software and reopen the application.
- Try connecting the USB device to a different port.

INFORMATION

FCC Statement

DECLARATION OF CONFORMITY WITH FCC RULES FOR ELECTROMAGNETIC COMPATIBILITY

We, Belkin Corporation, of 501 West Walnut Street, Compton, CA 90220, declare under our sole responsibility that the product:

F1U400

to which this declaration relates:

Complies with Part 15 of the FCC Rules. Operation is subject to the following two conditions:

(1) this device may not cause harmful interference, and (2) this device must accept any interference received, including interference that may cause undesired operation.

CE Declaration of Conformity

We, Belkin Corporation, declare under our sole responsibility that the product F1U400, to which this declaration relates, is in conformity with Emissions Standard EN55022 and Immunity Standard EN55024, and LVD EN61000-3-2 and EN61000-3-3.

ICES

This Class B digital apparatus complies with Canadian ICES-003. Cet appareil numérique de la classe B est conforme à la norme NMB-003 du Canada.

Belkin Corporation Limited One-Year Product Warranty

Belkin Corporation warrants this product against defects in materials and workmanship for its warranty period. If a defect is discovered, Belkin will, at its option, repair or replace the product at no charge provided it is returned during the warranty period, with transportation charges prepaid, to the authorized Belkin dealer from whom you purchased the product. Proof of purchase may be required.

This warranty does not apply if the product has been damaged by accident, abuse, misuse, or misapplication; if the product has been modified without the written permission of Belkin; or if any Belkin serial number has been removed or defaced.

THE WARRANTY AND REMEDIES SET FORTH ABOVE ARE EXCLUSIVE IN LIEU OF ALL OTHERS, WHETHER ORAL OR WRITTEN, EXPRESSED OR IMPLIED. BELKIN SPECIFICALLY DISCLAIMS ANY AND ALL IMPLIED WARRANTIES, INCLUDING, WITHOUT LIMITATION, WARRANTIES OF MERCHANTABILITY AND FITNESS FOR A PARTICULAR PURPOSE.

No Belkin dealer, agent, or employee is authorized to make any modification, extension, or addition to this warranty.

BELKIN IS NOT RESPONSIBLE FOR SPECIAL, INCIDENTAL, OR CONSEQUENTIAL DAMAGES RESULTING FROM ANY BREACH OF WARRANTY, OR UNDER ANY OTHER LEGAL THEORY, INCLUDING BUT NOT LIMITED TO LOST PROFITS, DOWNTIME, GOODWILL, DAMAGE TO OR REPROGRAMMING, OR REPRODUCING ANY PROGRAM OR DATA STORED IN OR USED WITH BELKIN PRODUCTS.

Some states do not allow the exclusion or limitation of incidental or consequential damages or exclusions of implied warranties, so the above limitations of exclusions may not apply to you. This warranty gives you specific legal rights, and you may also have other rights that vary from state to state.

