

This UPS is specially aimed for use with multi function Personal Computers. It is designed to be light weight and compact to fit perfectly into a working environment with limited space. The 'Active' UPS is equipped with boost and buck AVR to stabilise the input voltage range. It also comes with a built in DC start up function. This function enables the UPS to be started up without a supply of AC power. Although it is a small UPS, it is also equipped with a Smart USB Communication Port to offer the user more benefits. The download software facility enables the user to monitor the UPS inside status. The main features of this 'Active' Battery Back Up UPS are listed below:

- Microprocessor control guarantees high reliability.
- Equipped with Boost and Buck AVR.
- Built-in USB Communication Port.
- Free Software Download from the Internet. (Please check Free Software Download in Installation & Operation for detailed information).
- Green Power Function for energy saving.
- DC Start Function.
- Auto restart during AC recovery.
- Compact size, Light Weight.
- Provides Modem/Phoneline surge protection.

INSTALLATION AND OPERATION

1. Inspection

Remove the UPS from its packaging and inspect it for damage that may have occurred during shipping. If any damage is discovered, repack the unit and return it to the place of purchase.

2. Charging

This unit is shipped from the factory with its internal battery fully charged, however, some charge may be lost during shipping and the battery should be recharged prior to use. Plug the unit into an appropriate power supply and allow the UPS to charge fully by leaving it plugged in for at least 8 hours with no load (no electrical devices such as computers, monitors, etc.) connected.

3. Placement

Install the UPS unit in any protected environment that provides adequate airflow around the unit, and is free from excessive dust, corrosive fumes and conductive contaminants. Do not operate your UPS in an environment where the ambient temperature or humidity is high. Also ensure that the UPS unit is placed at least 20cm away from your PC monitor, to avoid interference.

4. Computer and Office Machine

Any computers, monitors, or other computer-related devices should be plugged into either of the three (3) power receptacles for battery backup.

5. Modem/Phoneline Connection

Plug incoming telephone line into the "IN" socket at the back of the UPS. Use one more telephone line cable and plug one end of the telephone line cable to the "OUT" socket at the back of the UPS. Plug the other end to the modem input socket.

6. Turn On/Off

To turn on the UPS unit, press the power switch lightly. To turn off the UPS unit, press the power switch again.

7. DC Start

Each Battery Back Up model is equipped with a DC start function. To start the UPS when AC utility power is not available, simply press the power switch.

8. Green Power Function

Each Battery Back Up model is equipped with a Green Power function. For saving power and protecting battery, the method of deep discharging protection is adopted on inverter mode.

9. Free Download Software – WinPower

- Go to the website: <http://www.ups-software-download.com/winpower.htm>
- Choose the operation system you need and follow the instruction described on the website to download the software.
- When downloading all required files from the internet, enter the serial No: 511C1-01220-0100-478DF2A to install the software.

Note:

The Power Switch must be kept in the 'ON' position, otherwise the UPS will be disabled and your equipment will not be protected during a power failure.

BELKIN®

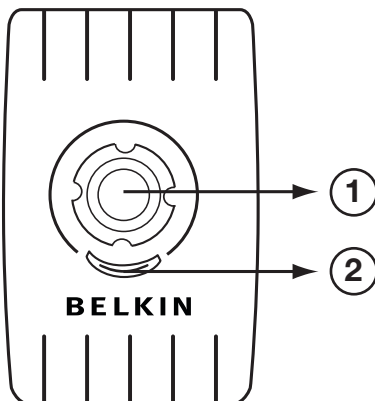
Active Battery Back Up User Manual

P75312uk

SYSTEM DESCRIPTION

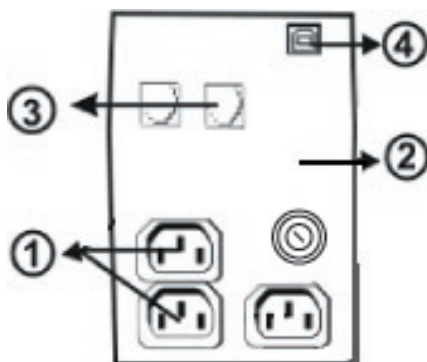
Front panel:

1. Power Switch
2. LED Indicators –
AC Mode: Green lighting
Battery Mode: Green flashing



Back Panel

1. Output receptacles
2. AC input with AC fuse
3. Modem/Phoneline Surge Protection
4. USB Communication Port



IEC

| Symptom | Possible Cause | Remedy |
|---|--|---|
| No LED display on the front panel. | 1. Battery weak. | 1. Re-charge battery up to 8 hours. |
| | 2. Battery defect. | 2. Replace with the same type of battery. |
| | 3. Power switch is not pressed. | 3. Press the power switch again. |
| Alarm buzzer beeps continuously when AC supply is normal. | Overload of the UPS. | Verify that the load matches the UPS capability specified in the specs. |
| When power failure, back-up time is shortened. | 1. Overload of the UPS. | 1. Remove some noncritical load. |
| | 2. Battery voltage is too low. | 2. Charge battery 8 hours or more. |
| | 3. Battery defect due to high temperature operation environment, or improper operation to battery. | 3. Replace with the same type of battery. |
| Mains normal but LED is flashing. | 1. Fuse is blown. | 1. Replace the same type of fuse. |
| | 2. Power cord is loose. | 2. Reconnect the power cord properly. |

If any abnormal situations occur that are not listed above, please call service people immediately.

| MODEL | | Active Battery Back Up 400VA | Active Battery Back Up 600VA | Active Battery Back Up 800VA |
|---|-----------------------------------|--|------------------------------|------------------------------|
| CAPACITY | VA/W | 400VA/240W | 600VA/360W | 800VA/480W |
| INPUT | Voltage | 230VAC | | |
| | Voltage Range | 85-140VAC or 162-290VAC | | |
| | Frequency | 45-65 Hz (Auto Sensing) | | |
| OUTPUT | Voltage | 230VAC | | |
| | Voltage Regulation (Batt. Mode) | +/-10% | | |
| | Frequency | 50Hz or 60Hz | | |
| BATTERY | Frequency Regulation (Batt. Mode) | +/-1 Hz | | |
| | Output Waveform | Modified Sinewave | | |
| | Battery Type | 6V4Ah x 2 | 12V7Ah x 1 | 12V9Ah x 1 |
| Backup Time (at a PC load with 15" monitor) | Backup Time | 10 minutes | 20 minutes | 29 minutes |
| | Recharge Time | 8 hours to 90% after complete discharge | | |
| TRANSFER TIME | Typical | 2-6 ms | | |
| INDICATOR | AC Mode | Green lighting | | |
| | Backup Mode | Green flashing | | |
| AUDIBLE ALARM | Backup Mode | Sounding every 10 seconds | | |
| | Low Battery | Sounding every second | | |
| | Overload | Sounding every 0.5 second | | |
| | Battery Replacement | Sounding every 2 seconds | | |
| PROTECTION | Fault | Continuously sounding | | |
| | Full Protection | Discharge, overcharge, and overload protection | | |
| PHYSICAL | Dimension (mm), DXWXH | 330X100X140 | | |
| WEIGHT | Net Weight | 5kgs | 6kgs | 6.5kgs |
| ENVIRONMENT | Operating Environment | 0- 40°C, 0-90 % relative humidity (non-condensing) | | |
| | Noise Level | Less than 40dB | | |
| INTERFACE | USB Port | Windows 98/2000/ME/XP | | |

CONTACT BELKIN

To contact Belkin for any reason, please find our international office contact information below.

Belkin Tech Support
UK: 0845 607 77 87

Belkin Ltd.
Express Business Park
Shipton Way, Rushden, NN10 6GL, United Kingdom
+44 (0) 1933 35 2000
+44 (0) 1933 31 2000 fax

Belkin B.V.
Boeing Avenue 333
1119 PH Schiphol-Rijk, The Netherlands
+31 (0) 20 654 7300
+31 (0) 20 654 7349 fax

Belkin GmbH
Hanebergstrasse 2
80637 Munich, Germany
+49 (0) 89 143405 0
+49 (0) 89 143405 100 fax

Belkin SAS
130 rue de Silly
92100 Boulogne-Billancourt, France
+33 (0) 1 41 03 14 40
+33 (0) 1 41 31 01 72 fax

Belkin Nordic
Knarrarnäsgatan 7
164 40 Kista, Sweden
+46 (0) 8 5229 1870
+46 (0) 8 5229 1874 fax

Belkin Ltd.
7 Bowen Crescent, West Gosford
NSW 2250, Australia
+61 (0) 2 4372 8600
+61 (0) 2 4372 8603 fax