

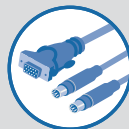
## Package Contents



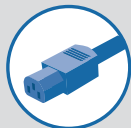
17" Dual-Rail LCD  
Rack Console



Side-Rail Kit



VGA, PS/2 Cable Kit



IEC Power Cable



Quick Installation  
Guide



Keys

### Introduction

This booklet will guide you through the basic steps needed to install the 17" LCD Rack Console with Dual-Rail Technology.

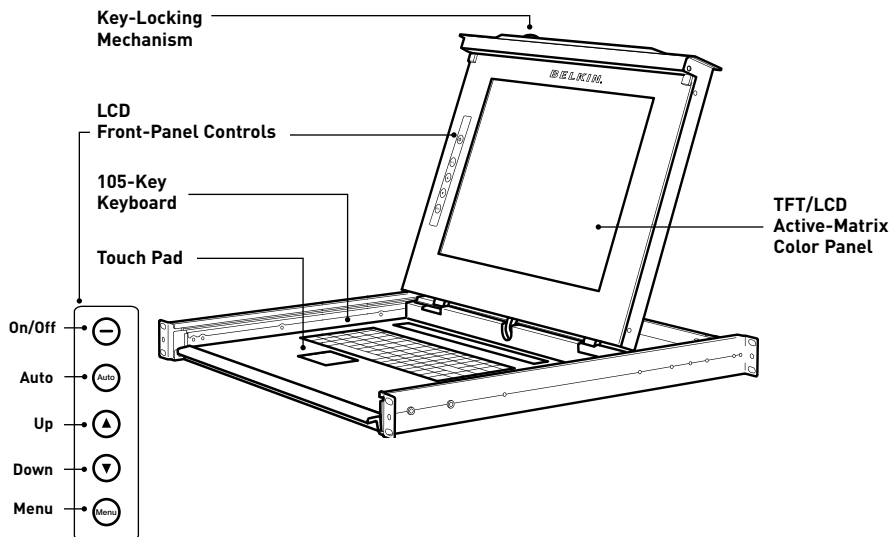
---

## Specifications

---

<b>Material</b>	Heavy-duty steel
<b>Power</b>	Auto-switching 100 to 240VAC 50 to 60Hz 48 watts
<b>Net Weight</b>	32.6 lbs. (14.8kg.)
<b>Unit Dimensions</b>	19 (W) x 26.3 (D) x 1.70 (H) in. (483.2 x 668.51 x 43.18mm)
<b>Minimum Rack-Mount Depth</b>	26 in. (660.4mm)
<b>Maximum Rack-Mount Depth</b>	36 in. (914.4mm)
<b>Display Type</b>	17" TFT/LCD active-matrix color
<b>Resolution</b>	Up to 1280x1024
<b>Contrast Ratio</b>	450:1
<b>Brightness</b>	250 cd/m2 typical
<b>Pixel Pitch</b>	0.264mm x 0.264mm

<b>Panel Color</b>	16.7 million display colors
<b>Response Time</b>	Rising 2ms, Decay 14ms
<b>Keyboard Type</b>	Laptop style
<b>Keyboard Connection</b>	PS/2
<b>Mouse Type</b>	Touchpad style
<b>Mouse Connection</b>	PS/2
<b>Operating Life of Individual Keys</b>	8 million cycles
<b>Warranty</b>	2 years



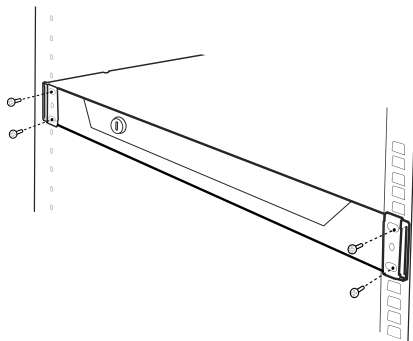
---

# Installation

---

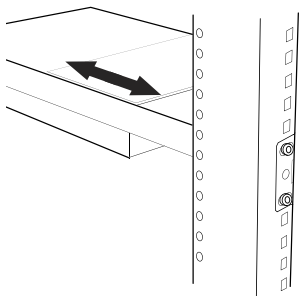
**Step 1** Place the console inside the rack.

**Step 2** Mount the front brackets to the rack.

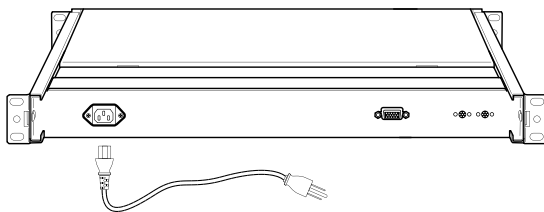


**Step 3** Slide the side rails onto the mounting studs.

**Step 4** Mount the side rails to the rear of the rack.



**Step 5** Connect the IEC power cable to an active power outlet and power up the Console.



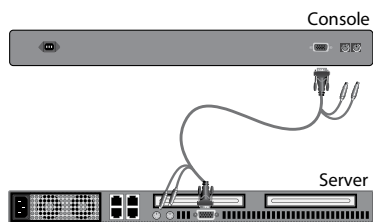
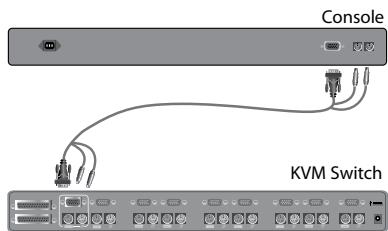
---

# Connecting the KVM Switch or Server

---

- Step 1** Make sure your KVM switch or server is powered OFF.
- Step 2** Using the included PS/2 KVM Cable Kit, connect one set of VGA and PS/2 connectors to the back of the Console. (Refer to diagrams below.)
- Step 3** Connect the other end of the Cable Kit to the console monitor, keyboard, and mouse ports on your KVM switch or server. (Refer to diagrams below.)
- Step 4** Power ON the Console.
- Step 5** Power ON the KVM switch or server connected to the Console.

**You are now ready to use your LCD Rack Console.**



**The Console offers two power on/off methods:**

- a power button on the LCD front-panel console, and
- an LCD power-save (with drawer closure).

---

# Troubleshooting

---

## **My Console doesn't appear to be on.**

Make sure that the power switch located at the front of the keyboard drawer is “on” and that the power cable is connected properly.

## **What is the maximum video resolution that the LCD panel supports?**

The LCD panel supports a resolution of up to 1280x1024.

## **Do I have to install any software to use the Console?**

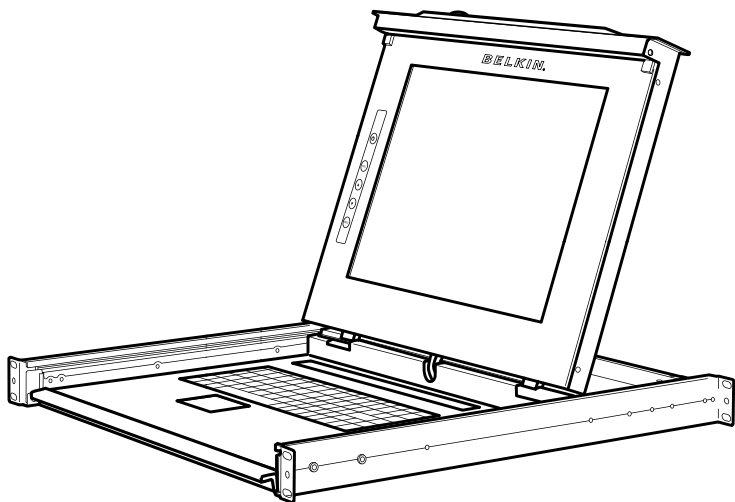
No, the Console does not require any drivers or software to be installed in your computers. Simply connect the Console directly to a computer or to a KVM switch, and it is ready for use.



**BELKIN®**

**Titan 17" Dual-Rail  
LCD Rack Console**

**Start Here →**



**Quick Installation Guide**

F1DC101C-US

# BELKIN®

## Titan 17" Dual-Rail LCD Rack Console

# BELKIN®

[www.belkin.com](http://www.belkin.com)

### **Belkin Tech Support**

US: 800-223-5546, ext. 2263

310-898-1100, ext. 2263

UK: 0845 607 77 87

Australia: 1800 235 546

New Zealand: 0800 235 546

Singapore: 65 64857620

Europe: [www.belkin.com/support](http://www.belkin.com/support)

### **Belkin International, Inc.**

501 West Walnut Street

Los Angeles, CA 90220, USA

310-898-1100

310-898-1111 fax

### **Belkin Ltd.**

Express Business Park, Shipton Way

Rushden, NN10 6GL, United Kingdom

+44 (0) 1933 35 2000

+44 (0) 1933 31 2000 fax

### **Belkin Ltd.**

4 Pioneer Avenue

Tuggerah Business Park

Tuggerah, NSW 2259, Australia

+61 (0) 2 4350 4600

+61 (0) 2 4350 4700 fax

### **Belkin B.V.**

Boeing Avenue 333

1119 PH Schiphol-Rijk, The Netherlands

+31 (0) 20 654 7300

+31 (0) 20 654 7349 fax

© 2008 Belkin International, Inc. All rights reserved. All trade names are registered trademarks of respective manufacturers listed.