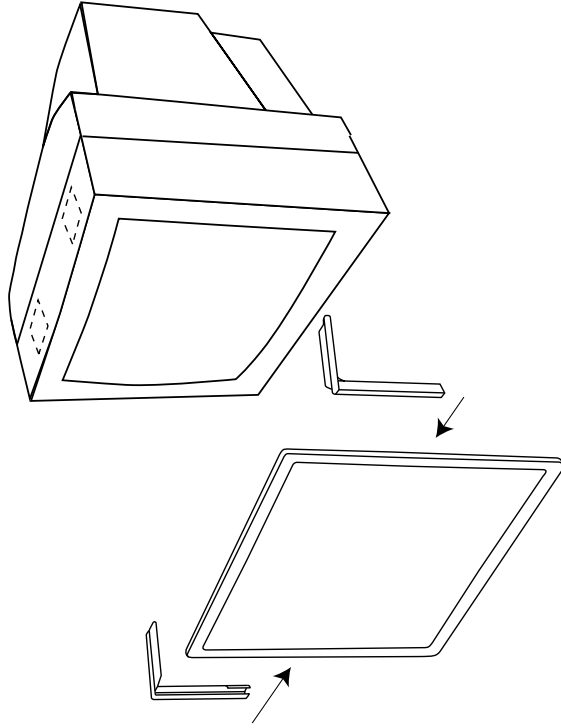


1

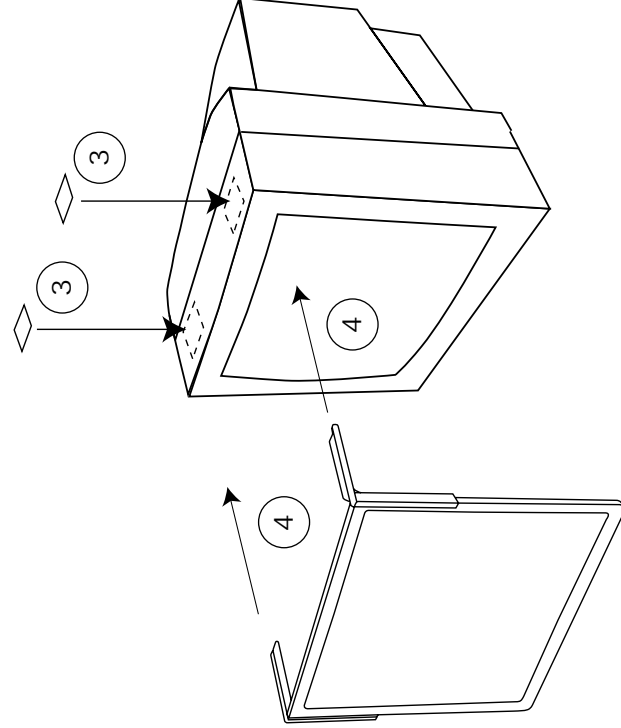
Clean the mounting surface thoroughly with the computer cleaning wipes provided with the glare filter.



2

Attach the hanger clips to the glare filter by snapping them onto the frame.

3



4

Once the solution from the cleaning wipes has dried on the surface of your monitor, remove one side of the protective film from the self-adhesive tape and affix it to your monitor (make sure that they are the same distance apart as the hanger clips).

Remove the protective film from the other side of the self-adhesive tape. Place the glare filter on your monitor, gently applying pressure to the hanger clips against the tape to ensure adhesive bond.